

## SMALL, COMPACT DESIGNED FIBER-TO-ETHERNET MEDIA CONVERTER

### UPGRADE YOUR ETHERNET TO FIBER CONNECTIVITY FOR KVM, IPDU, OR IPCS

Legrand's UTP-FIBER1G-USB fiber-to-Ethernet media converter is specifically designed for electrical power substation (IEC 61000-4-5). It provides a high level of interference immunity and extended transmission range (up to 10km) in industrial applications by converting the 1000Mbps Ethernet interface to fiber optics (1000Mbps according to 1000Base-X standard).

The small, plug-and-play converter dongle with LC duplex connector driven by USB 3.0 / USB 2.0 provides flexibility to upgrade ETHERNET to FIBER OPTICAL in places with no industrial power supply or power over ethernet (PoE) are present. Its RJ45 port (male type) offers an auto crossing function, which means it is not necessary to distinguish between 1:1 and crossover cables.

### APPLICATIONS

- Connectivity for long-distance and interference immunity with high security
- Control Center, Server Room, Office, Surveillance, Smart Building, Factory, Signaling System, Digital Signage, and Car Parking System
- Government, Telecommunication, Media, Medical, Security, Education, and Enterprise



### Feature and Benefits

- IEEE 802.3 1000Base-T, IEEE 802.3u 1000BASE-X compliant
- IEC 61000-4-5 (surge immunity) compliant
- Connector: LC duplex
- Data rate: 1000Mbps
- Wavelength: 1310nm (single-mode)  
Operating temperature: 0°C~55°C
- Power input voltage range: 4.5V~5.5V
- Power dissipation < 2.5W
- Support distance:  
up to 10km for Single-mode fiber  
up to 800m for Multi-mode fiber
- Both Single-mode and Multi-mode fiber supported
- Link Fault Pass-Through (LFP) supported
- Auto dust cover
- Auto crossing simplifies cabling (MDI/MDIX)
- Individual LEDs indicate power and communication status
- CE/FCC/UKCA/VCCI compliant
- RoHS and REACH compliant

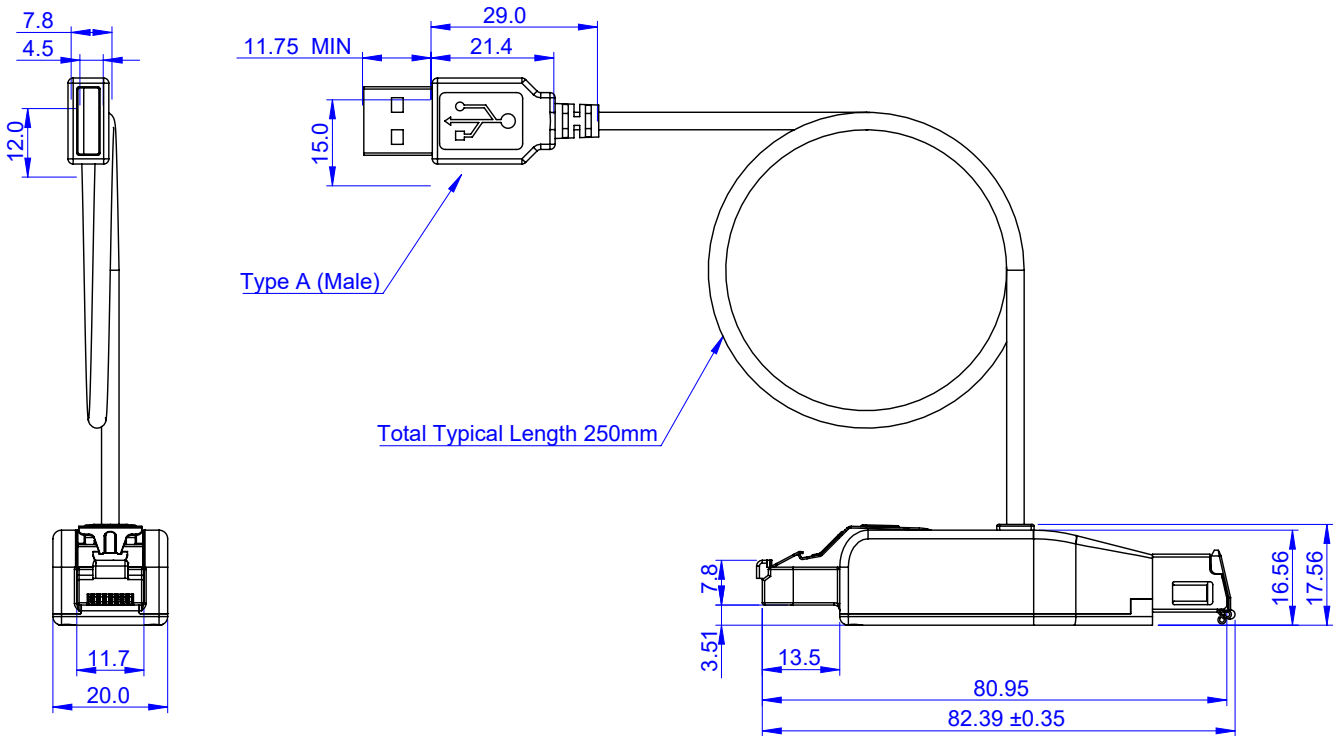
# LED PANEL INDICATION

Class 1 Laser Product Complies With  
21 CFR 1040.10 and 1040.11

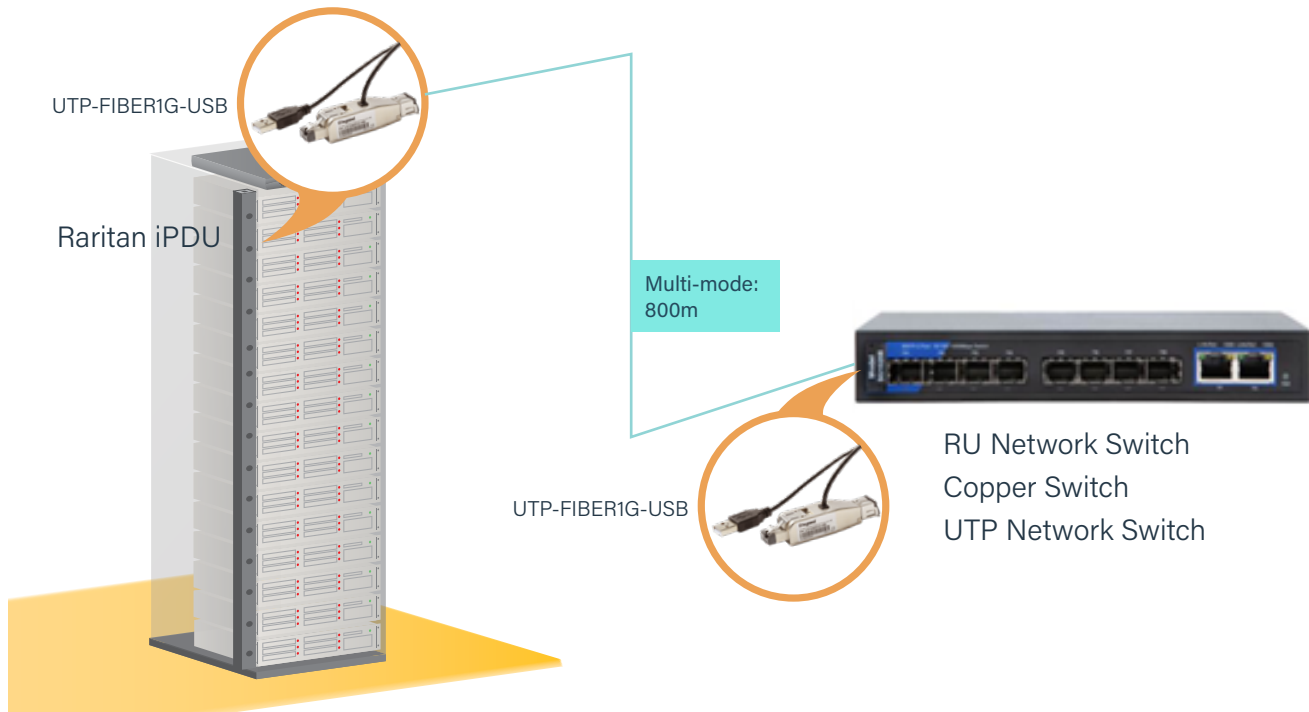
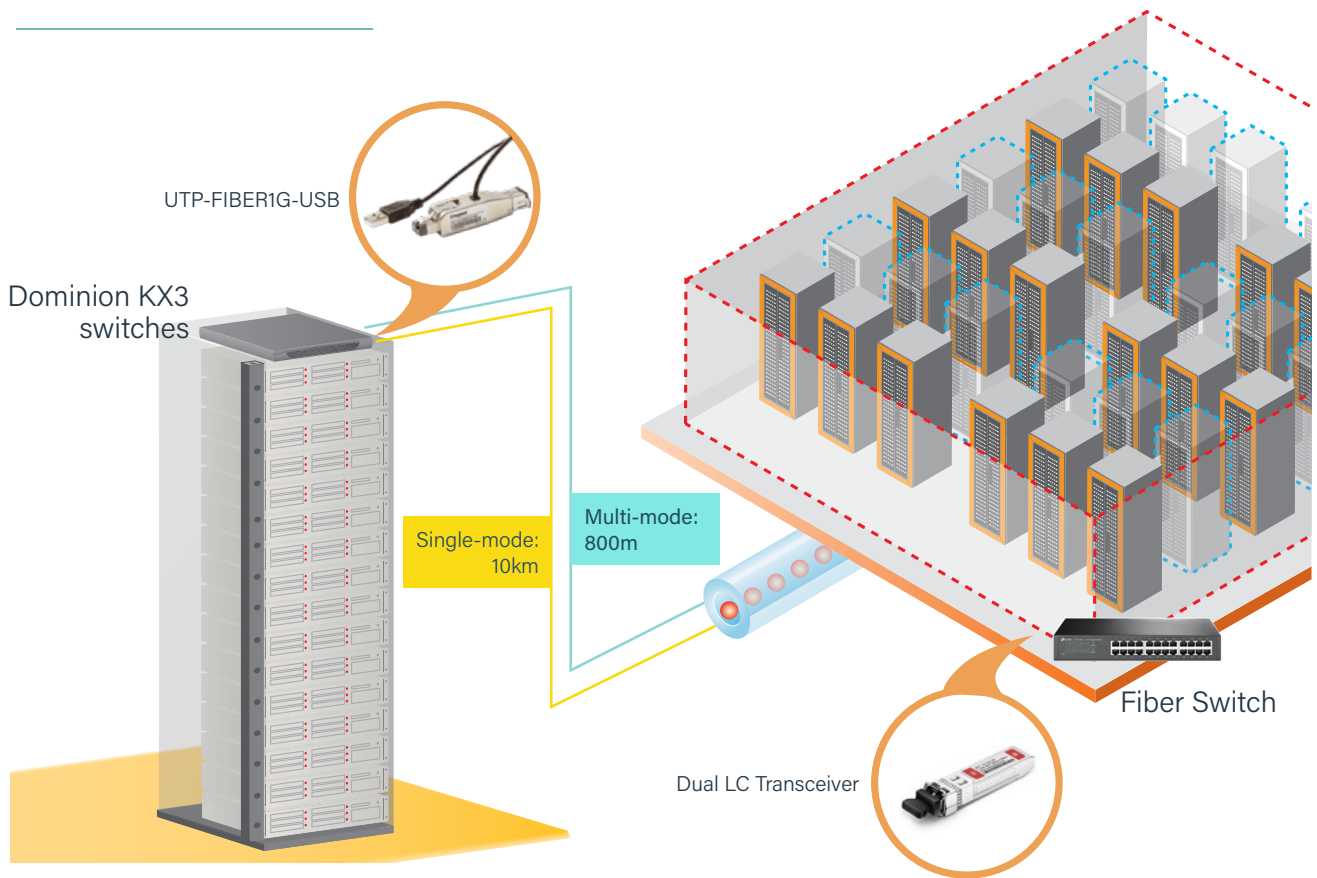
Power  
Link/ACT  
Fiber

Description	Color	Status	Function Description
Power	Green	On	Module on
	No light	Off	Module off
Link/ACT	Green	On	1000Mbps
	Green Blinking	On	Activity
	No light	Off	Disconnected
Fiber	Blue	On	Connected
	No light	Off	Disconnected

# DIMENSIONS



# CONNECTION DIAGRAM



# SPECIFICATIONS

General Specifications		Environmental Spec.	
Function	Fiber Converter dongle	Operating temperature	0°C~55°C
RJ45 port	1000 Base-Tx Auto negotiation (IEEE 802.3u)	Operating Humidity (Max)	5%~95%
Fiber Port	1000 Base-X Full-duplex (IEEE 802.3u)	Degree of protection	IP20
Properties of optic port		Power Requirements	
Total number of FO ports	1	Connector type	USB 3.0 / USB 2.0 Type A
Connector type	LC	Power Consumption	typical 2.1 W
Fiber Mode	Duplex Fiber		maximum 2.5 W
Link Distance (Max)	Up to 10Km for Single-mode fiber Up to 800m for Multi-mode fiber	Physical Characteristics	
Data rate	1.25Gbps	Housing	Metal
Wavelength	1310nm	Dimension	82.39(L)*20(W)*17.56(H) mm
Optical Output Power Range	-1 ~ -5 dBm	Weight	50g
Optical Receive Sensitivity	-21 ~ -3 dBm	Standards and Certifications	
Properties of RJ45 port		Shock and Vibration	CNS 10033
Total number of RJ45 Ethernet interfaces	1	Certifications	CE/FCC/UKCA/VCCI
Connection type	RJ45 male	Green product	RoHS and REACH
Data rate	1000Mbps		
MDI/MDIX switchover	Auto MDI/MDIX		

**Raritan.com/Fiber-USB**

800-724-8090 | sales@raritan.com

©2022 Legrand. All rights reserved. The industry-leading brands of Approved Networks, Ortronics, Raritan, Server Technology, and Starline empower Legrand's Data, Power & Control to produce innovative solutions for data centers, building networks, and facility infrastructures. Our division designs, manufactures, and markets world-class products for a more productive and sustainable future. The exceptional reliability of our technologies results from decades of proven performance and a dedication to research and development. V1365