

Congratulations on your purchase of Dominion KSX, the complete solution for remote office administration. Before installing Dominion KSX, first configure each device which you intend to access remotely with the following parameters. This is very important installation procedure ensures optimal performance and responsiveness.

I. Prepare Devices and Network for Remote Operation

All Servers

A. For optimal bandwidth efficiency and video performance, set the OS desktop background to a predominantly solid, plain, light-colored graphic.

B. Ensure that the server's video resolution and refresh rate are supported by Dominion KSX, and the signal is non-interfaced:

Text Mode	Network / Firewall
1024x768 @ 60Hz	800x600 @ 60Hz
1024x768 @ 70Hz	800x600 @ 72Hz
1024x768 @ 75Hz	800x600 @ 75Hz
640x480 @ 60Hz	800x600 @ 72Hz
640x480 @ 72Hz	800x600 @ 75Hz
640x480 @ 75Hz	1024x768 @ 60Hz
640x480 @ 85Hz	1024x768 @ 60Hz
640x480 @ 85Hz	1024x768 @ 70Hz
640x480 @ 85Hz	1024x768 @ 75Hz
800x600 @ 60Hz	1024x768 @ 75Hz
800x600 @ 72Hz	1280x1024 @ 60Hz
800x600 @ 75Hz	
800x600 @ 85Hz	

Linux (with Graphical Desktop)

Set mouse acceleration to exactly 1, and threshold to exactly 1.

Sun Solaris (with Graphical Desktop)

Set mouse acceleration to exactly 1.0. Also, be sure that your video card is set to a supported resolution and is outputting VGA (H-and-V Sync, not composite sync). This non-default configuration can be set in the bootprom mode by issuing the command:

```
setenv output-device screen:1024x768x70
```

Then issue the "boot" command to reboot.

Macintosh

While no specific mouse setting is required, when using Dominion KSX to access and control a Macintosh system, you must set the Raritan Remote Client to "single cursor" mode. See the Dominion KSX User Manual for more details.

Serial Consoles

Make note of your serial console communication settings. Dominion KSX's serial ports default to 9600 baud, no parity bit, 8 data bits, and 1 stop bit (9600-N-8-1). Ensure that your serial console supports VT100 emulation.

Windows XP / Windows 2003

Disable "Enhanced pointer precision", and set the mouse motion speed exactly to the middle speed setting. These options are located in Control Panel > Mouse > Mouse Pointers.

Windows 2000 / ME

Set mouse pointer acceleration to "None", and the mouse motion speed exactly to the middle speed setting. Disable transition effects in Control Panel > Display > Effects.

Windows 95 / 98 / NT

Set mouse motion speed to the slowest setting in Control Panel > Motion. Disable window, menu, and list animation in Control Panel > Display > Effects.

Linux (with Graphical Desktop)

Set mouse acceleration to exactly 1, and threshold to exactly 1.

Sun Solaris (with Graphical Desktop)

Set mouse acceleration to exactly 1.0. Also, be sure that your video card is set to a supported resolution and is outputting VGA (H-and-V Sync, not composite sync). This non-default configuration can be set in the bootprom mode by issuing the command:

```
setenv output-device screen:1024x768x70
```

Then issue the "boot" command to reboot.

Macintosh

While no specific mouse setting is required, when using Dominion KSX to access and control a Macintosh system, you must set the Raritan Remote Client to "single cursor" mode. See the Dominion KSX User Manual for more details.

Serial Consoles

Make note of your serial console communication settings. Dominion KSX's serial ports default to 9600 baud, no parity bit, 8 data bits, and 1 stop bit (9600-N-8-1). Ensure that your serial console supports VT100 emulation.

II. Attach Local Console for Initial Configuration



1. Attach the included AC power cord to the Dominion KSX unit, and into an AC power outlet.

2. Attach a PS/2 keyboard and multisync monitor to the corresponding ports marked "ADMIN". Please note that these ports may be on the front or rear panel of the unit.

3. Power ON Dominion KSX.

4. After booting, Dominion KSX will display the Setup Wizard on the Admin Console screen. Press 'B' on the Admin Console keyboard to begin configuration.

figuring Dominion KSX.

5. On the Key Configuration Screen, enter the 16-digit user license key located on the software certificate included with your Dominion KSX unit. Press <Ctrl+S> to save.

6. On the Network Configuration Screen, assign a unique name (e.g., "Atlanta Office") and IP Address parameters for this Dominion KSX unit.

7. The Main Menu appears. Browse through the Admin Console options to configure Dominion KSX

monitor as described above.

monitoring or further configuration.

Domain KSX.

as appropriate to your environment. Refer to the User Manual found on the enclosed CD-ROM for detailed descriptions of administrative parameters.

8. When satisfied with your Dominion KSX configuration, return to the main menu of the Admin Console, and press 'R' to "Restart or shut-down". Press 'S' to shutdown, and power OFF

9. At this time, you may detach the PS/2 keyboard and multisync monitor from the Admin Console ports, or leave them attached for future

performing initial configuration, you may connect to Dominion KSX via a web browser on a Windows computer, instead of directly via a keyboard and monitor as described above.

10. To do so, simply attach a crossover Ethernet cable between the network ports of Dominion KSX and your computer; enter Dominion KSX's default IP address into Internet Explorer (192.168.0.192) and login with the default username / password ("admin"/"rartan").

After authenticating, you will be directly connected to your Dominion KSX unit. On the left-hand side of the window, double-click on the "Admin Console" port to commence remote administration of your Dominion KSX unit.



DKX User Manuals and Quick Setup Guides in this and other languages are located on Raritan's "User Manuals and Quick Setup Guides" CDROM. For up-to-the-minute user documentation, please visit the **Support** section of our website www.raritan.com or your local Raritan website.



Dominion® KSX

Quick Installation and Setup Guide

Quick Installation and Setup Guide

Dominion® KSX

Raritan Computer Inc.
400 Cottontail Lane
Somerset, NJ 08873
USA
Tel. 1-732-764-8886
Fax: 1-732-764-8887
E-mail: sales@raritan.com
<http://www.raritan.com>

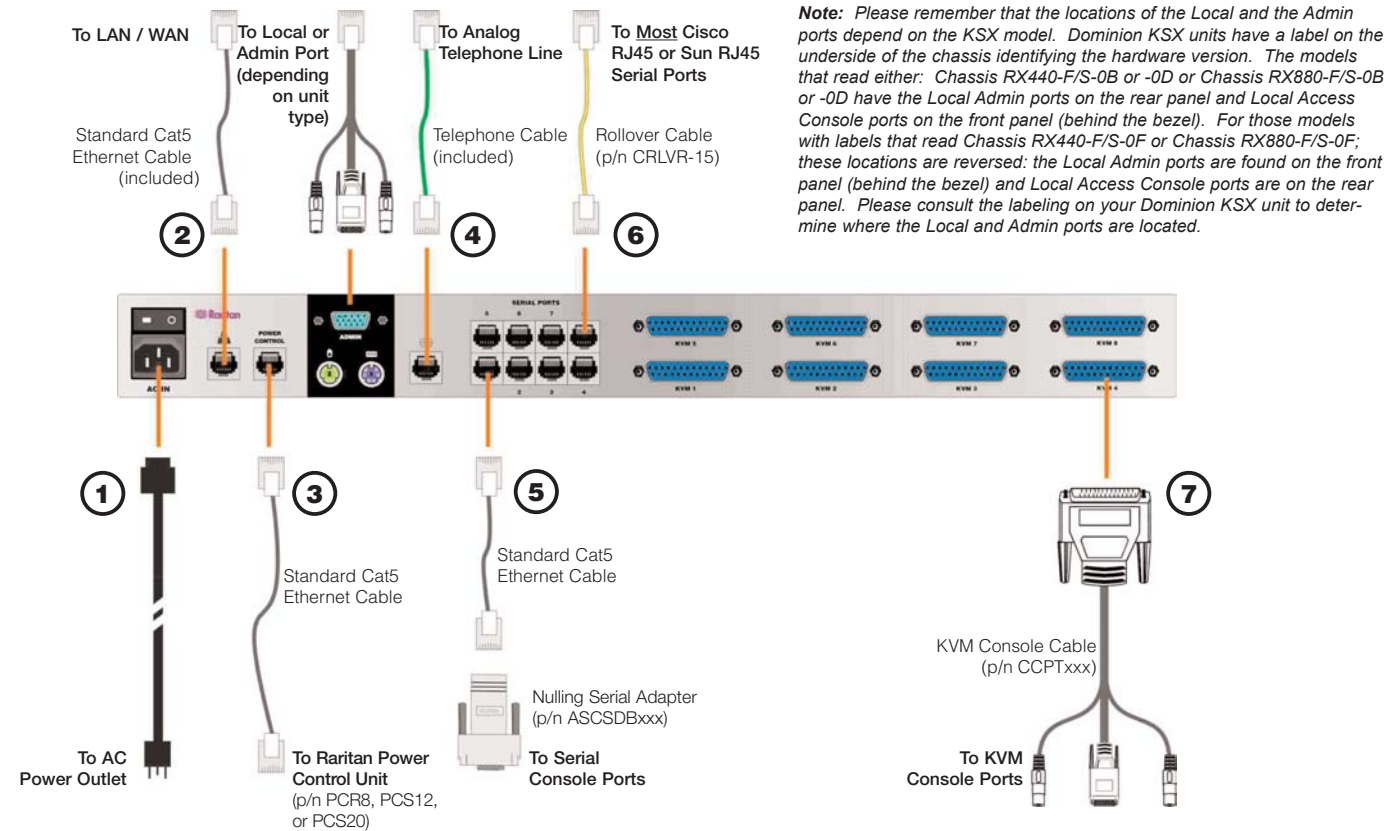
Raritan Computer Europe, B.V.
Eglanderbaan 16
2908 LV Capelle aan den IJssel
The Netherlands
Tel. 31-10-284-4040
Fax. 31-10-284-4049
E-mail: sales.europe@raritan.com
<http://www.raritan.com>

Raritan Computer Japan, Inc.
4th Fl. Shinkawa NS Building
1-26-2 Shin-kawa, Chuo-ku
Tokyo 104-0033 Japan
Tel. 81-03-3523-5991
Fax. 81-03-3523-5992
E-mail: sales@raritan.co.jp
<http://www.raritan.co.jp>

Raritan Computer Taiwan, Inc.
5F, 121, Lane 235,
Pao-Chiao Rd., Hsin Tien
Taipei Hsien, Taiwan, ROC
Tel. 886-2-8919-1333
Fax. 886-2-8919-1338
E-mail: sales.asia@raritan.com
<http://www.raritan.com.tw>

III. Connect to Network; Attach Servers to be Remotely Accessed

In this step, connect Dominion KSX to the network and attach the servers and devices that you wish to access remotely.



1. Attach the included AC power cord to the port labeled "AC IN" and connect to an AC power source.

2. Connect a standard Cat5 Ethernet cable from the Dominion KSX network port, to your networked switch / hub / router.

3. [Optional] To employ Dominion KSX's integrated power control graphical interface, connect a standard Cat5 Ethernet cable from the port labeled "Power Control" to the equivalently labeled port found on a Raritan Remote Power Control unit (p/n PCR8, PCS12, or PCS20).

NOTE: This port works only with Raritan brand Remote Power Control units. You may use similar products from other vendors by connecting them

as a standard serial device (see Step 5). However, note that Dominion KSX does not present a graphical interface to other vendors' power control products.

4. [Optional] Connect the integrated modem found in Dominion KSX by attaching one end of the included telephone cable to the modem port, and the other end to an analog telephone line.

5. To connect a standard DB9 or DB25 serial console port to Dominion KSX, use a Raritan Nulling Serial Adapter (p/n ASCSDB9F, ASCSDB9M, ASCSDB25F, ASCSDB25M) to interconnect the console port to Dominion KSX via a standard Cat5 Ethernet cable.

6. Many Cisco and Sun devices are equipped

with serial console ports employing non-standard RJ45 connections. Most of these devices' serial console ports can be directly connected to Dominion KSX with a "serial rollover cable" (not a standard Ethernet cable, nor a crossover Ethernet cable). If you have misplaced the rollover cable supplied with your Cisco or Sun device, you may purchase one from Raritan (p/n CRLVR-15).

7. To connect servers with graphical video cards, such as those running Microsoft Windows or Linux, attach the DB25 end of a Raritan KVM Console Cable (p/n CCPTxxx) to a KVM port found on the back panel of Dominion KSX. Connect the other end of the cable to corresponding PS/2 keyboard, mouse, and VGA video ports of the server to which you wish to provide remote network access.

IV. Launch Raritan Remote Client (RRC)

Dominion KSX provides secure web-browser access to devices at each of your remote locations or server(s) from any Windows-based computer. This enables convenient remote access to your server(s) without the burden of having software on-hand.

1. Log on to any Windows-based computer with network access to Dominion KSX.

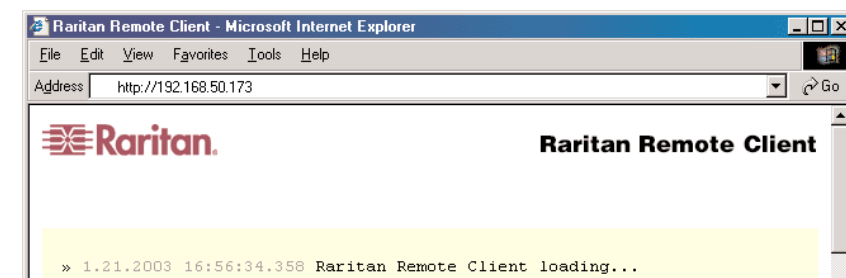
2. If you are using Windows NT, 2000, or XP, ensure that you are not a "restricted" user.

3. If you are using Windows XP, ensure that only one version of Java Virtual Machine is installed.

4. Launch Microsoft Internet Explorer. Ensure that your Internet Explorer security settings allow the download and execution of ActiveX controls.

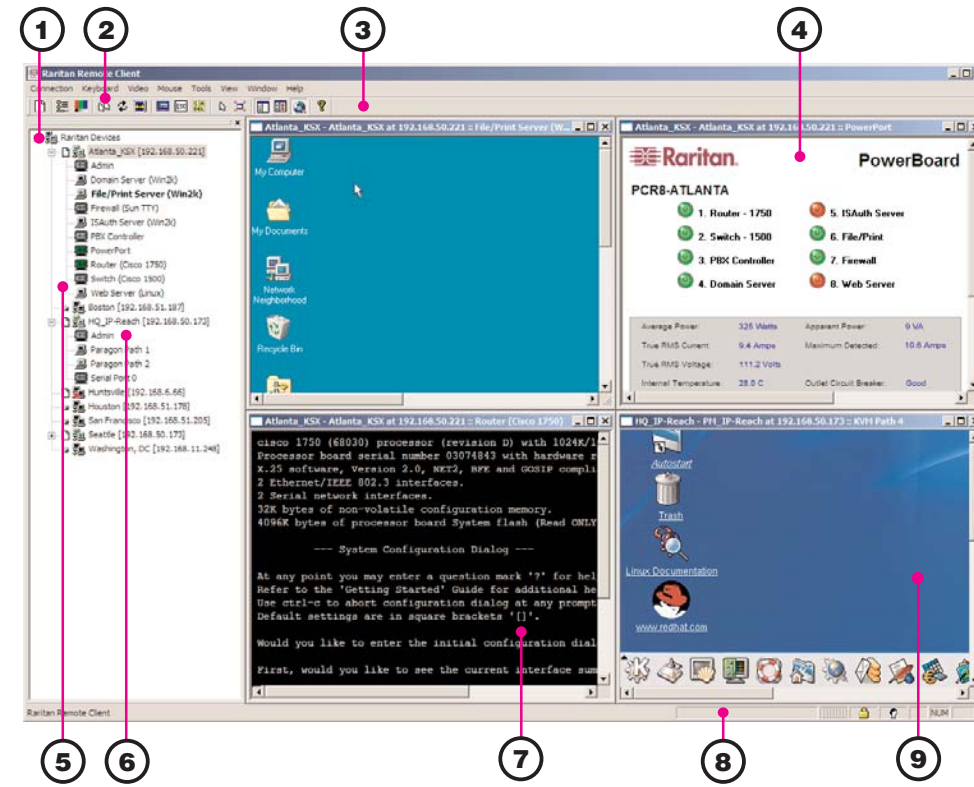
NOTE: The Windows default security setting, "Medium", will suffice.

5. In the text field found on the Internet Explorer "Address" bar, type in the IP address you assigned to Dominion KSX in Step II-6. Press [ENTER] to load and launch the web access client.



V. Establish a Connection

Immediately upon launching the Raritan Remote Client (RRC), you may access your Dominion KSX using its graphical navigation interface. Login with the default username and password ("admin"/"raritan"). Use the RRC Navigator, found on the left-hand side of the RRC window, to select and connect to a port.



1. The RRC Navigator displays any known Raritan networked appliances in a single view. Select Connection > New Profile to create new entries.

2. Click on "Synchronize Mouse" to converge the mouse pointers displayed in KVM windows.

3. The RRC Toolbar provides easy access to RRC's most frequently utilized features.

4. If a Raritan Remote Power Control Unit is attached to Dominion KSX, double-click on "PowerPort" in the RRC Navigator to invoke the graphical power control interface.

5. Double-click on any serial or KVM port to establish access to and control of the device attached.

6. RRC works with many different Raritan IP-based products, each of which may be configured remotely by double-clicking on the "Admin" port.

7. RRC provides VT100 console access to devices connected to the Serial Ports of Dominion KSX.

8. The RRC Status Bar provides real-time information on connection parameters.

9. When connected to a KVM console port, keystrokes and video signals are transmitted in

VI. Maximize Remote KVM Performance

Dominion KSX's dynamic video compression algorithms maintain usability of KVM consoles under varying bandwidth environments. Unlike other hardware solutions, Dominion can optimize its output for the lower-bandwidth WAN and dial-up connections typically found in remote office applications. By adjusting color depth and limiting video output, Dominion KSX offers the optimal balance between video quality and system responsiveness in any bandwidth constraint. Familiarize yourself with the following configurable parameters to adjust performance options even further.

Video Smoothing

Setting the video smoothing level too high can prohibit Dominion KSX from correctly transmitting color gradations.

On the menu bar, select Connection > Properties to adjust the Smoothing level to an appropriate setting for your environment.

Noise Filter

All video graphics cards generate electrical noise that cannot be seen by the naked eye when displayed on a monitor. Dominion KSX reduces the bandwidth it consumes by intelligently ignoring extraneous signal noise.

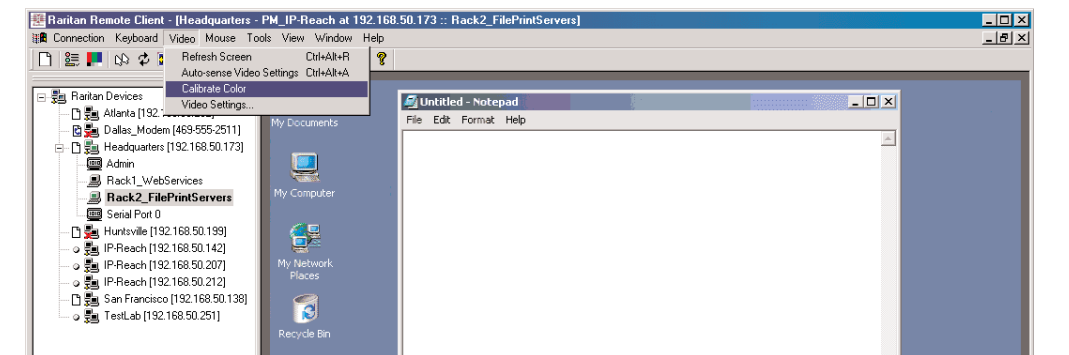
Setting the noise filter too high can prohibit Dominion KSX from correctly transmitting screen changes.

On the menu bar, select Video > Video Settings to adjust the Noise Filter level to an appropriate setting for your environment.

Color Calibration

Some video cards output non-standard signal levels. Therefore, to optimize transmitted color for accuracy, perform a color calibration upon initial setup:

1. On the remote server desktop that you are controlling with Dominion KSX, ensure that a solid white color covers approximately 15% or more of the screen. One simple way to accomplish this is to open the Notepad application and maximize its window size:



2. On the RRC menu bar, select Video > Calibrate Color to perform the color calibration.