



Raritan LCD KVM Console® (T1700/T1900)

Quick Setup Guide

Thank you for your purchase of the LCD KVM Console, one of the best-known LCD KVM drawers in the current market. The Raritan LCD KVM Console solution is an integrated, 1U device that manages servers or KVM in data centers, server rooms and other space critical environments - directly from the racks in which they are installed.

This Quick Setup Guide explains how to install and configure the LCD KVM Console. For additional information on any aspect of LCD KVM Console, see the accompanying LCD KVM Console User Guide, which can be downloaded from the Firmware and Documentation section (<http://www.raritan.com/support/firmware-and-documentation/>) of Raritan's website. Or you can access the product's online help in the Product Online Help section (<http://www.raritan.com/support/online-help/>).

Package Content

Raritan LCD KVM Console comes with the standard parts shown in this section. Check and make sure they are included and in good condition. If anything is missing, or damaged, contact the supplier immediately.

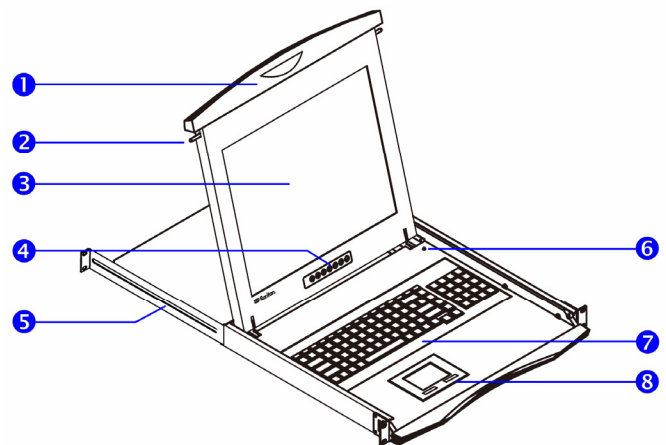
T1700

1. LCD KVM drawer x 1 pc
2. Fasteners for rear L-bracket x 4 pcs
3. Rear mounting L-bracket x 1 pair
*T1700 series mounting depth-adjustable from 395 to 880mm
4. 3-in-1 KVM cable x 1 pc
5. Power cord x 1 pc

T1900

1. LCD KVM drawer x 1 pc
2. Single or "one man" installation slides x 1 package
3. 3-in-1 KVM cable x 1 pc
4. Power cord x 1 pc

Structure Diagram



1. Carry handle to release the 2-pt lock
2. 2-point lock
3. LCD screen
4. LCD membrane
5. Adjustable rear mounting L-bracket
6. Micro switch for screen auto power off
7. Keyboard
8. Touchpad

Before Installation

- It is very important to locate the LCD KVM Console in a suitable environment.

- The surface for placing and fixing the LCD KVM Console should be stable and level or mounted into a suitable cabinet.
- Make sure the place has good ventilation, is out of direct sunlight, away from sources of excessive dust, dirt, heat, water, moisture, and vibration.
- Convenience for connecting the LCD KVM Console to the related facilities should be well considered too.

Installation

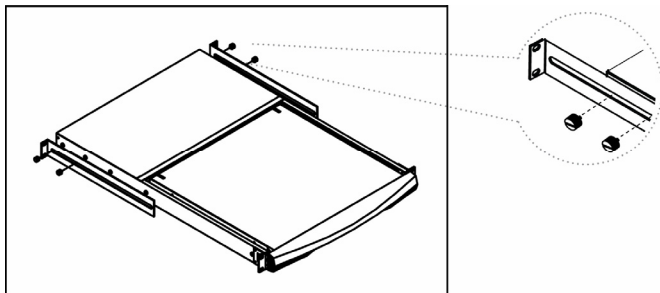
The LCD KVM Console can be installed on a 4-post rack as well as an enclosed rack, but cannot be installed on a 2-post rack.

Rack-Mounting the LCD KVM Console

There are three major steps to rack-mount the LCD KVM Console.

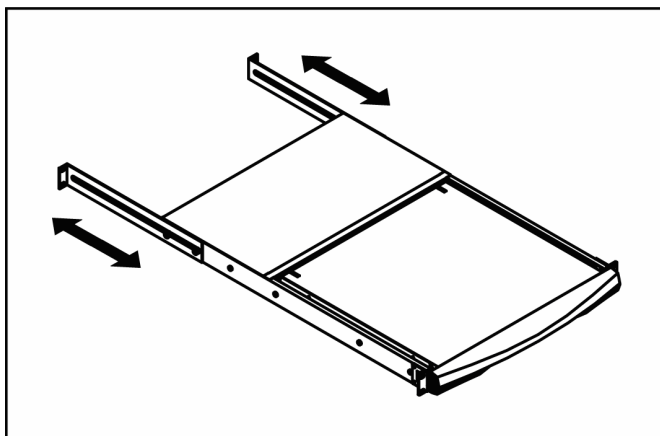
1. Install the rear L-bracket to the LCD KVM Console.
2. Align the rear L-brackets to a suitable length for the rack.
3. Fix the LCD KVM Console into the rack.

1. Installing the Rear L-bracket



- a. Install each rear L-bracket using two fasteners shown in the diagram.
- b. Leave the fasteners slightly loose.

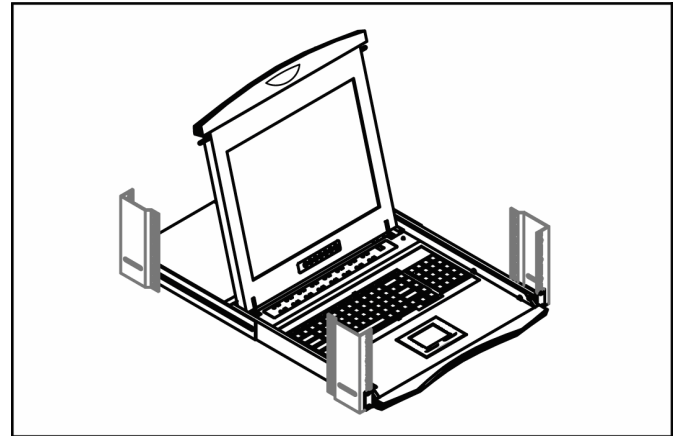
2. Aligning the Rear L-brackets



- a. Measure the front and rear mounting depth of the rack.

- b. Align each rear L-bracket to a suitable length and tighten the fasteners shown in the diagram.

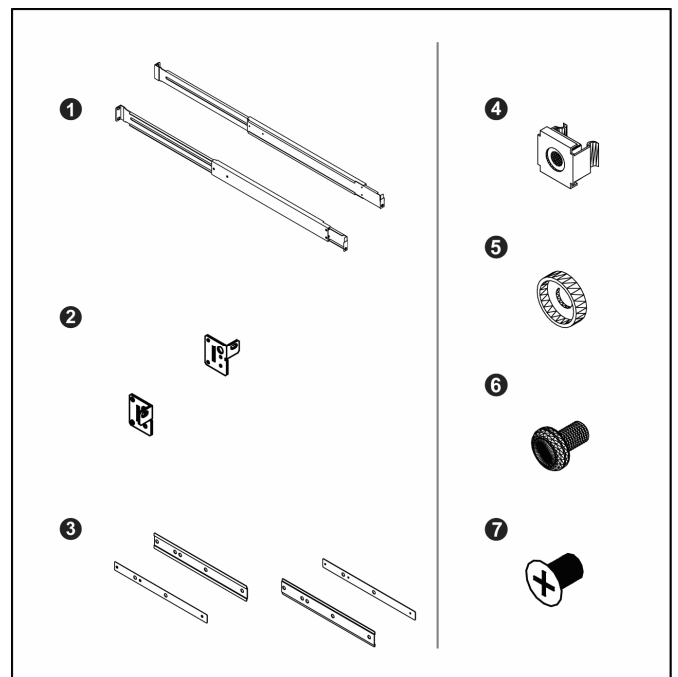
3. Fixing the LCD KVM Console into the Rack



- Fix the LCD KVM Console into the rack.

Note: Hardware (screws and cage nuts) for fixing the mounting bracket into the rack is not provided.

How to Install "One Man" Installation Slides



Component list

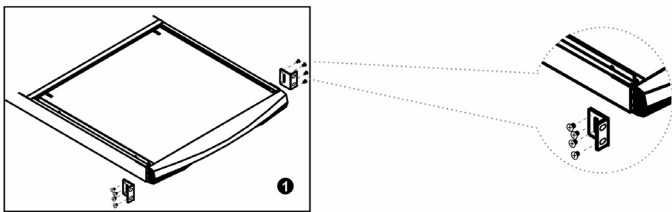
1	Mounting bracket x 2 pcs
2	Front mounting ear (left & right) x 2 pcs
3	Support bracket x 4 pcs

Component list

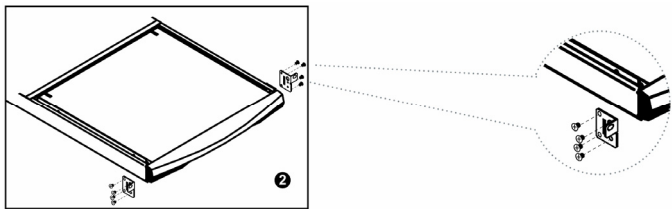
4	M6 cage nut x 6 pcs
5	M6 washer x 8 pcs
6	M6*15mm screw x 8 pcs
7	M3.2*4.5mm screw x 14 pcs

Installing the Front Mounting Ear x 2 pcs

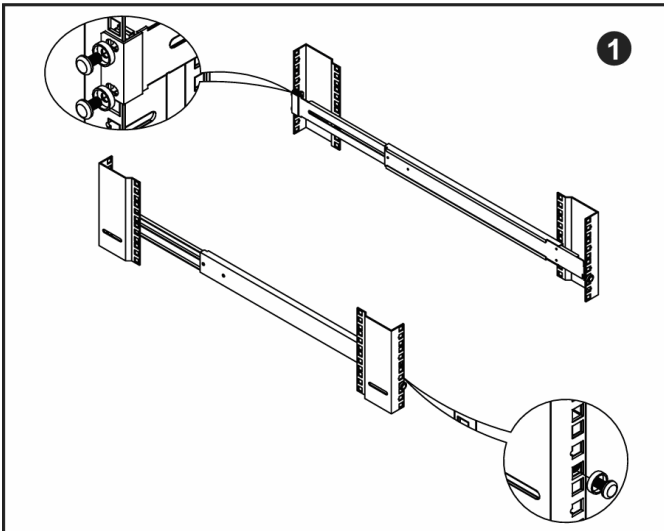
1. Disassemble the standard front mounting ears carefully.



2. Install the optional front mounting ears with M3.2*4.5 mm screw x 8 pcs.

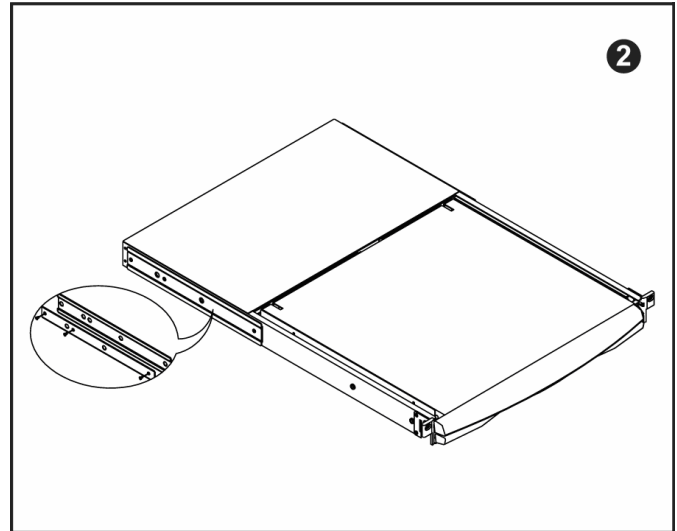


Installing into Rack

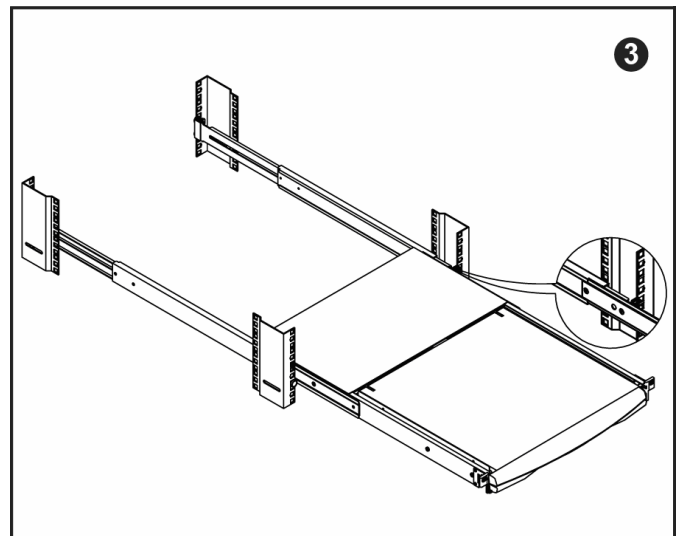


- Attach the mounting bracket to vertical mounting rails.
- Adjust the rear mounting bracket to fit your rack.
- Repeat the above steps for the other side.

Caution: Leave the screws slightly loose (not release).

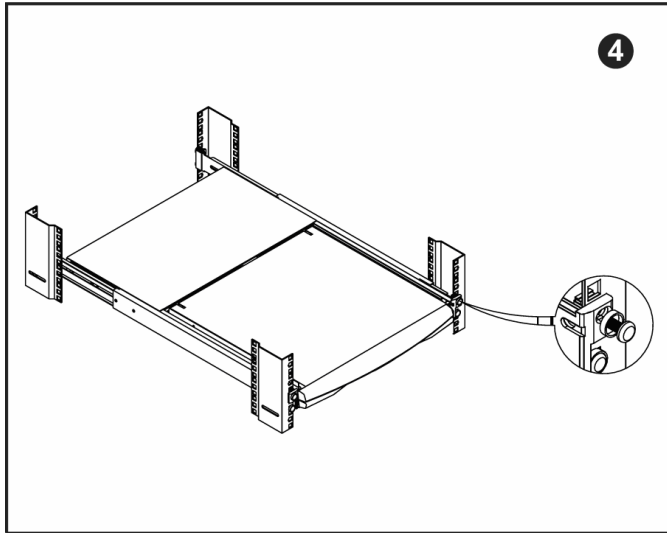


- Attach support brackets to chassis with M3.2*4.5mm screw x 3 pcs.
- Repeat the above step for the other side.

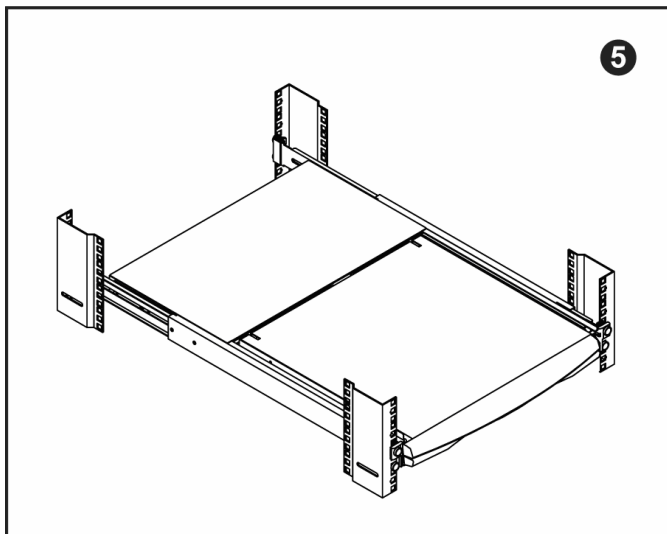


- Pick up the chassis.
- Insert inner members of slides into the already mounted internal slide members in the rack.
- Push the white-arrow button on each slide that is installed on the LCD keyboard drawer to unlock (Push at the same time).

Caution: Be careful when pushing the chassis into the left and right slides. Avoid pressing the red button located on either side of the slide.



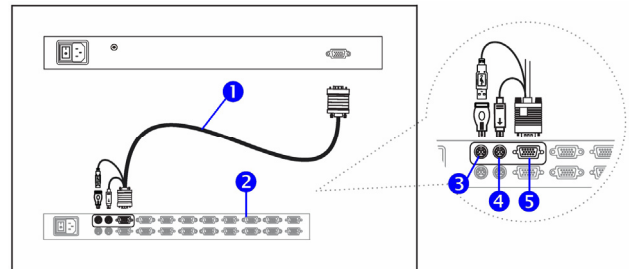
- Hold down the white-arrow button and push the chassis to the end.
- Attach left and right mounting ears to vertical mounting rails.
- Tighten the screws on both sides.



- Installation completed.

Connecting to the KVM Switch via PS/2 Interface

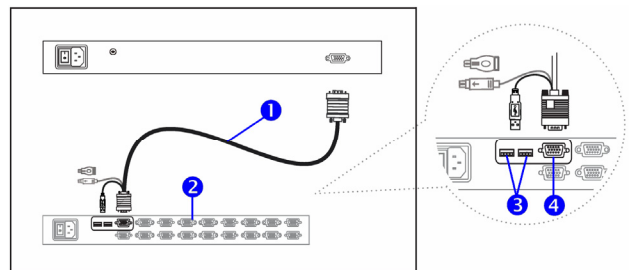
This is an illustration of connecting the 3-in-1 KVM cable to the KVM switch via PS/2 Interface.



1. 3-in-1 KVM cable
2. KVM switch
3. Keyboard port
4. Mouse port
5. VGA port

Caution: The LCD KVM Console is hot-pluggable, but components of connected devices, such as the servers and KVM switch, may not be hot-pluggable. Plugging and unplugging cables while servers and KVM switches are powered on may cause irreversible damage to the servers, KVM switches and LCD KVM Console. Before attempting to connect anything to the product, we suggest turning off the power to all devices. Apply power to connected devices again only after the LCD KVM Console is receiving power. The company is not responsible for damages caused in this way.

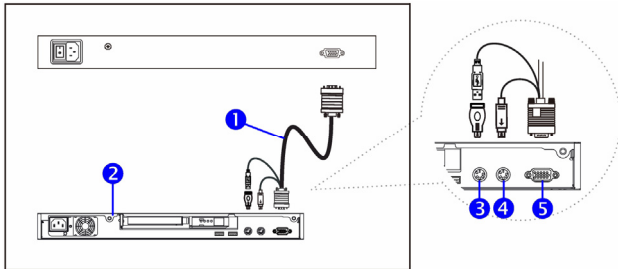
Connecting to the KVM Switch via USB Interface



1. 3-in-1 KVM cable
2. KVM switch
3. USB ports
4. VGA port

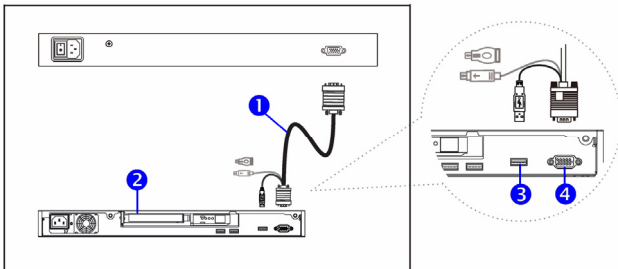
Connecting to the Server via PS/2 Interface

This is an illustration of connecting the 3-in-1 KVM cable to a server via PS/2 interface.



1. 3-in-1 KVM cable
2. Server
3. Keyboard port
4. Mouse port
5. VGA port

Connecting to the Server via USB Interface



1. 3-in-1 KVM cable
2. Server
3. USB port
4. VGA port

Additional Information

For more information about the LCD KVM Console and the entire Raritan product line, see Raritan's website (www.raritan.com). For technical issues, contact Raritan Technical Support. See the Contact Support page in the Support section on Raritan's website for technical support contact information worldwide.