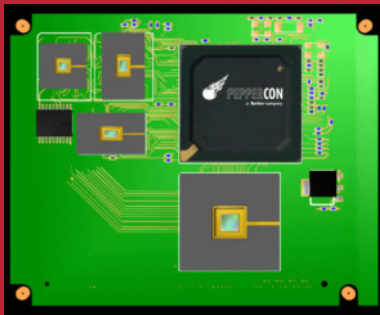


Better Access Remotely.



Virtual presence with Peppercon's ASMI compatible KVM/IP solution

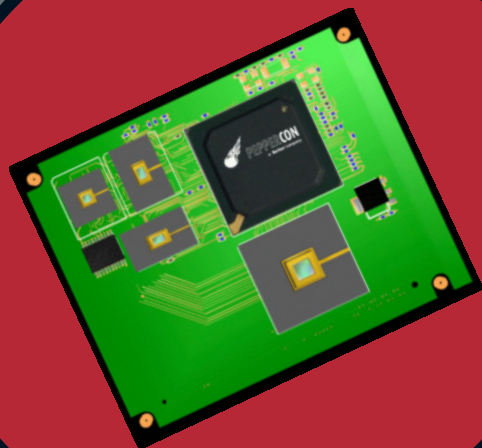
Enjoy the full range of platform control including KVM over IP for your embedded applications including graphic console redirection (KVM) and power on/off. On ASMI-G4 equipped servers your customers have unrestricted access to their systems at anytime from any internet-capable workplace in the world. Integrated, ASMI-G4 provides maximum stability and availability not dependent on the current mode of the server's operating system.

Peppercon ASMI-G4

- Complete platform control
- KVM over IP/Serial over IP
- Mouse/Keyboard emulation via USB
- No additional software needed
- Control via web browser
- Optional IPMI 2.0 support
- BMC support
- Virtual CD/Floppy via USB
- Remote power management option
- Enterprise level management software



ASMI-G4



Technical Data

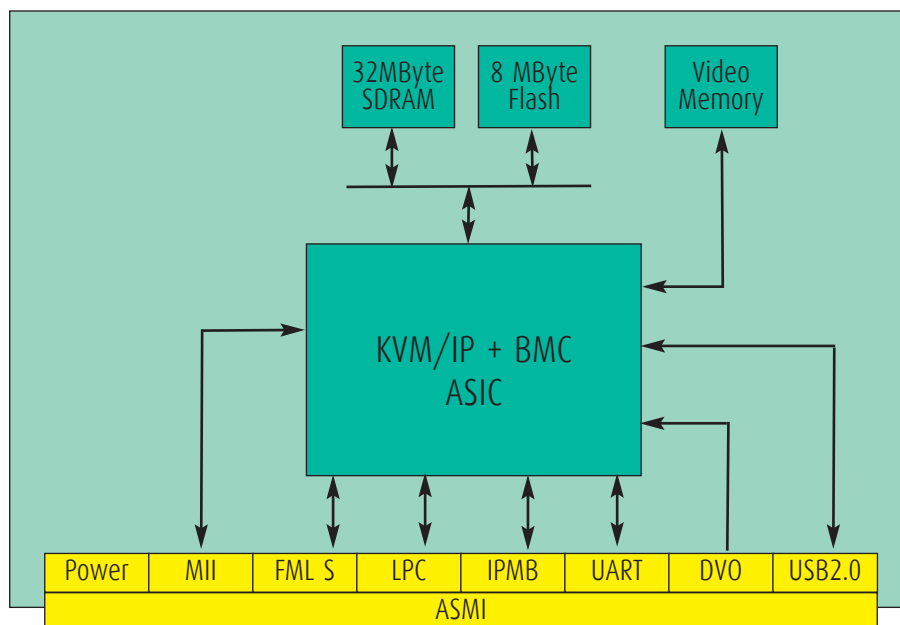
- Single Chip KVM/IP + IPMI processor
- 32 MByte SDRAM, 8 MByte Flash
- Hardware based Video Acceleration Unit VSC 2.0
- DVO compliant Video Input Interface (DVO 5x5x5)
- USB 2.0 High Speed Device Interface
- IPMI Interfaces
- Dedicated NIC Interface (MII)
- Shared NIC Interface (FML)
- Low single 3.3V power consumption (approx 3.5 W)
- Size: (69,85mm(L) x 57,15mm(W) x max. 8,2mm(H) [2,75 x 2,25 x max. 0,32 inches])

Security

- SSLv3/TLSv1 encryption of all data with up to 256 bit
- Support of SSL certificate management
- Logging of all important events

Software Development Kit

- SDK - OEMIZER
- SDK - Reference design (Gerber, Schematics, BOM) for integration



Peppercon AG
Scheringerstr. 1 • D-08056 Zwickau • www.peppercon.com
Tel: +49 (0) 375 271 3490 • Fax: +49 (0) 375 271 349-99

© 2005 Peppercon, subject to change



PEPPERCON
a Raritan® company

TECHNICAL DATA